



Champion Power Equipment, Inc., Santa Fe Springs, CA USA

**MODEL #100722**

## **PARTS INFORMATION**

**3500 LB. (1588 KG) WINCH**

**SERIAL NUMBER RANGE: ALL**

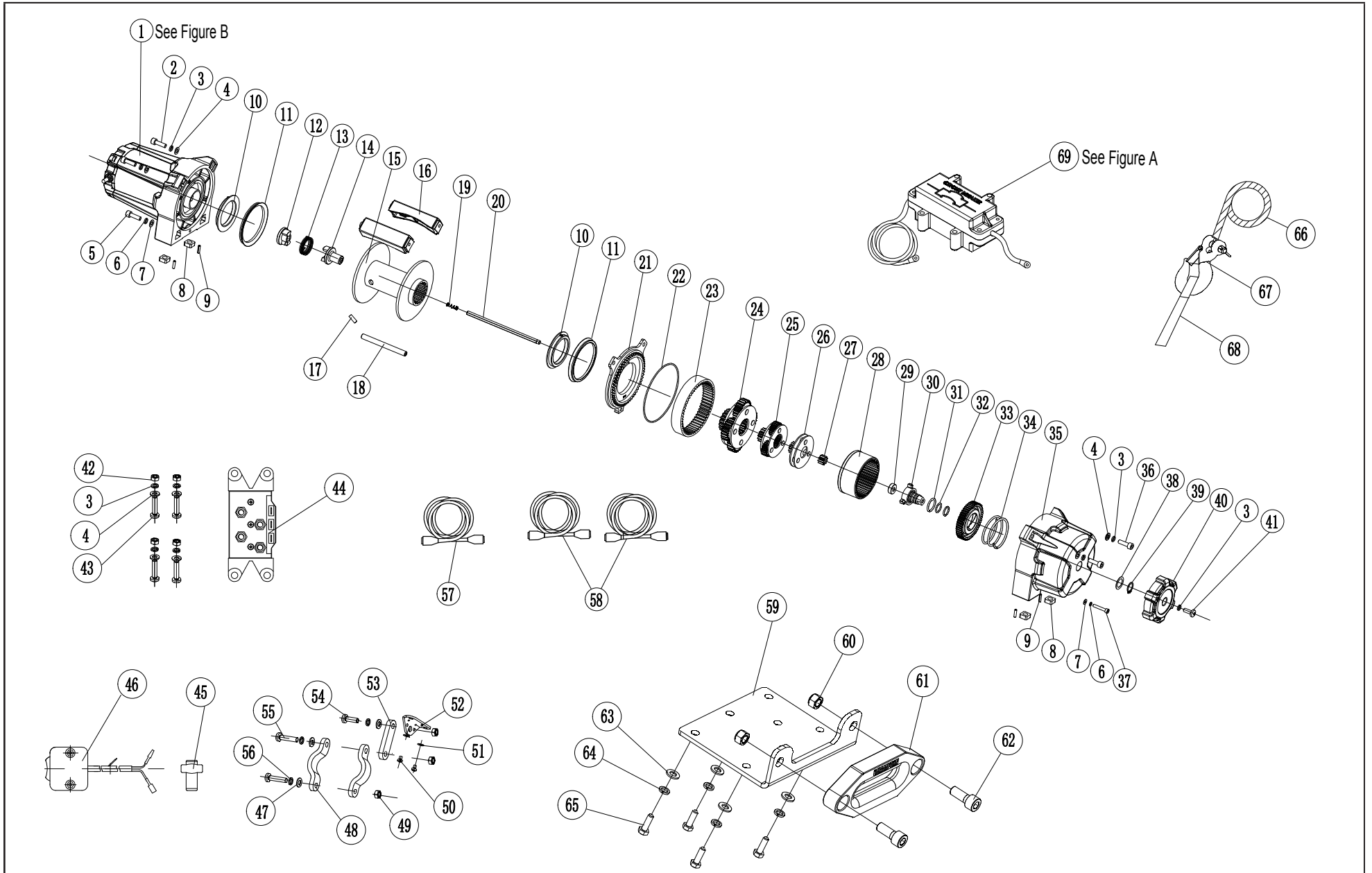


To order replacement parts please visit:  
**[shop.championpowerequipment.com](http://shop.championpowerequipment.com)**  
or call **1-877-338-0999**.

## **TABLE OF CONTENTS**

<b>Parts Diagram</b> .....	<b>3</b>
<b>Parts List</b> .....	<b>4</b>
<b>Circuit Breaker Parts Diagram</b> .....	<b>6</b>
<b>Circuit Breaker Parts List</b> .....	<b>7</b>
<b>Motor Assembly Parts Diagram</b> .....	<b>8</b>
<b>Motor Assembly Parts List</b> .....	<b>9</b>

# PARTS DIAGRAM



## PARTS LIST

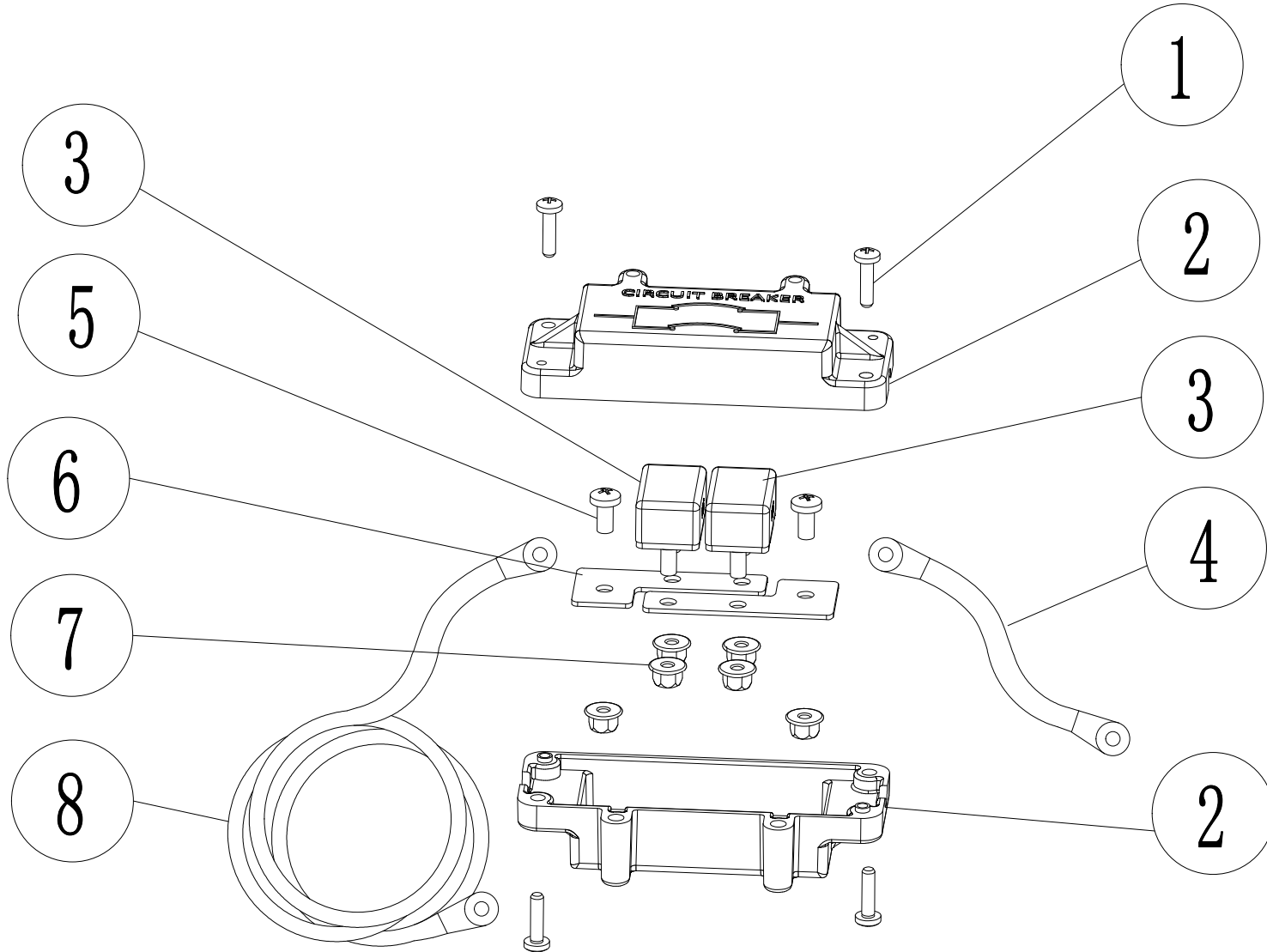
#	Part Number	Description	Qty.
1	350100XL	Motor Assembly	1
2	P1011017-D	Hexagon Socket Head Screw M6 x 20 - Dichromate	2
3	250017-D	Lock Washer Ø6 - Dichromate	9
4	250002-D	Flat Washer Ø6 - Dichromate	8
5	350001XL	Bolt M4 x 20 - Dichromate	1
6	350002XL	Lock Washer Ø4 - Dichromate	2
7	350003XL	Flat Washer Ø4 - Dichromate	2
8	500016	Square Nut	4
9	500017	Elastic Cylindrical Pin Ø3 x 14	4
10	350004XL	Drum Bushing	2
11	500001	Self Sealing Packing	2
12	450001	Coupling, I	1
13	450002	Spring,Coupling	1
14	450003A	Coupling, II	1
15	500200	Drum Assembly	1
16	350005XL	Tie Rod, Aluminum, 3500XL	1
17	500011	Hexagon Socket Set Screw with Cone Point M5 x 8	1
18	350006XL	Tie Bar Ø8 - Dichromate	1
19	410001	Shaft Spring	1
20	500015	Hexagonal Shaft	1
21	350007XL	Gear Housing Cover - Black Flat	1
22	410004	O Ring Ø100 x 1.9	1
23	410005	Gear Ring I	1
24	410006	Gear Carrier Assembly, Output	1
25	410008	Gear Carrier Assembly	1
26	410009	Gear Carrier Assembly, Input	1
27	450009	Gear Input, Sun	1
28	410007A	Gear Ring II	1

#	Part Number	Description	Qty.
29	GB2760BB0606-2RS	Radial Ball Bearing 606 Sealed	1
30	500009A	Axis Support Bushing	1
31	500003	O Ring Ø19 x 2.4	1
32	500020	O Ring Ø13 x 2	2
33	500008	Cam Clutch Gear	1
34	410014	Clutch Spring	1
35	350008XL	Gear Housing	1
36	350012XL	Hexagon Socket Head Screw M6 x 25 - Dichromate	2
37	350009XL	Bolt M4 x 25 - Dichromate	1
38	500019	Flat Washer Ø16 x Ø22 x 0.5, Stainless	1
39	250011	Retaining Clip Ø15	1
40	350010XL	Clutch Cap	1
41	250018-D	Cap Screw M6 x 16 - Dichromate	1
42	400013-D	Lock Nut M6 - Dichromate	4
43	400011-D	Hexagon Head Bolt M6 x 25 - Dichromate	4
44	410019	Contactora	1
45	400020	Wire Tap	1
46	400021	Mini-Rocker Switch	1
47	400023-D	Flat Washer Ø5 - Dichromate	3
48	400026-BF	Mini-Rocker Switch Clamp - Black Flat	2
49	400025-D	Nut M5 - Dichromate	3
50	400027	Screw #6-32 x 9/32 in	2
51	400028	Lock Washer Ø4	2
52	400029-BF	Mini-Rocker Switch Mounting Angle - Black Flat	1
53	400030-BF	Mini-Rocker Switch Extender - Black	1
54	400031-D	Hexagon Socket Head Screw M5 x 18 - Dichromate	1
55	400022-D	Hexagon Socket Head Screw M5 x 25 - Dichromate	2

#	Part Number	Description	Qty.
56	400024-D	Lock Washer Ø5 - Dichromate	3
57	350004	Battery Wires - Black, 36 in. (L) / 7 GA	1
58	410020	Winch Wires - Yellow, 72 in. (L) / 7 GA	1
	410021	Winch Wires - Blue, 72 in. (L) / 7 GA	1
59	250086-BF	Mounting Channel - Black Flat	1
60	250036-D	Lock Nut M10 - Dichromate	2
61	100374	Aluminum Hawse - 124mm	1
62	250087-D	Hexagon Socket Set Screw M10 x 25 - Dichromate	2
63	300019-D	Flat Washer Ø8 - Dichromate	4
64	300020-D	Lock Washer Ø8 - Dichromate	4
65	450021-D	Hexagon Head Bolt M8 x 25 - Dichromate	4
66	350300	Synthetic Rope - 3/16in. (D) x 50 ft. (L), Grey(Smoke)	1
67	350011XL	1/4 in. Clevis Hook - Black	1
68	410022	Yellow Strap	1
69	350200XL	Circuit Breaker Assembly, 60A	1

# CIRCUIT BREAKER PARTS DIAGRAM

Figure A

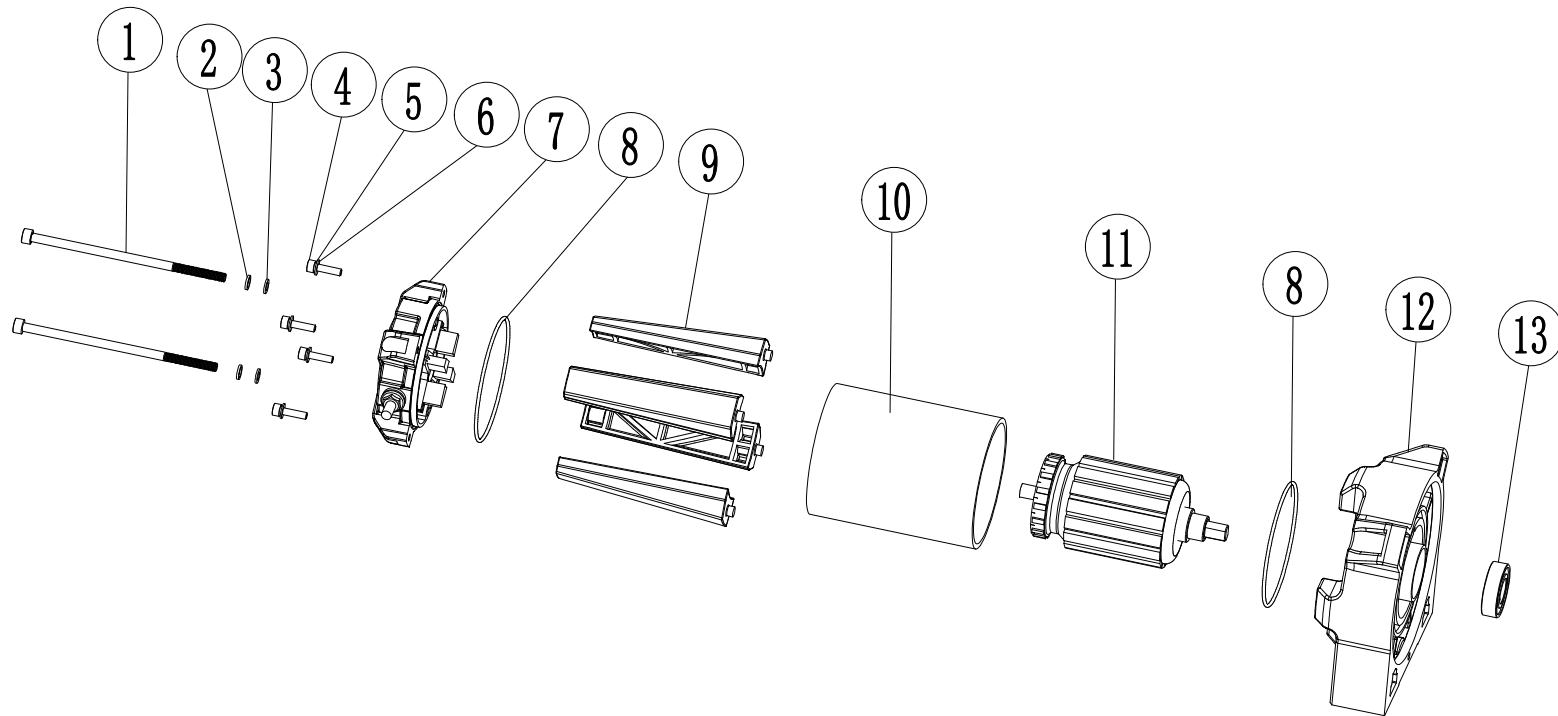


**CIRCUIT BREAKER PARTS LIST**

#	Part Number	Description	Qty.
1	350200XL.01	Pan Head Screw with Cross Recess M4 x 16	4
2	350200XL.02	Circuit Breaker Cover	2
3	350200XL.03	Circuit Breaker 30A	2
4	350200XL.04	Red Wire, 12in. (L) / 7 GA	1
5	350200XL.06	Pan Head Screw with Cross Recess M5 x 10	2
6	350200XL.07	Circuit Breaker Connection	2
7	350200XL.08	Flange Hexagon Nut M5	6
8	350003	Battery Wire - Red, 36in. (L) / 7GA	1

## MOTOR ASSEMBLY PARTS DIAGRAM

Figure B





**MOTOR ASSEMBLY PARTS LIST**

#	Part Number	Description	Qty.
1	M3500XL-01	Hexagon Socket Head Screw M5 x 120	2
2	M3500XL-02	Copper Washer Ø5	2
3	M3500XL-03	Seal Washer	2
4	410018A	Hexagon Socket Head Screw M4 x 16	4
5	M3500XL-04	Lock Washer Ø4	4
6	M3500XL-05	Flat Washer Ø4	4
7	M3500XL-06	Motor Cap Assembly	1
8	M3500XL-07	O-Ring Ø75 x 1.9	2
9	M3500XL-08	Motor Support Bar	4
10	M3500XL-09	Stator Assembly	1
11	M3500XL-10	Rotor	1
12	M3500XL-11	Motor Housing	1
13	M3500XL-12	Bearing, 6002-2RS	1