



**100-200 Amp**

**Automatic Transfer Switches (ATS)  
Load Control Module (LCM)**



Milbank's automatic transfer switches (ATS) and load control module (LCM) give you options that range from 100 Amp to 200 Amp Whole House service entrance solutions.



The **SIMPLE SOLUTION**™

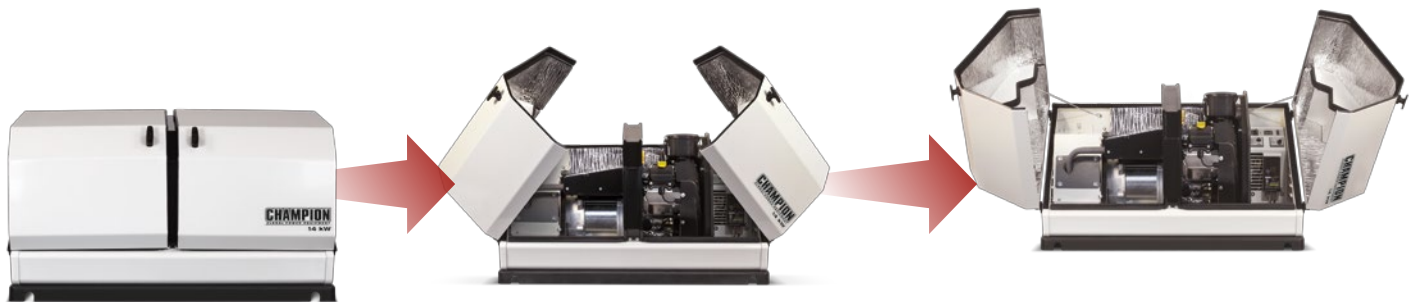


With our **WHOLE HOUSE** system, your home's power requirements are monitored continuously. This ATS can back up your home's entire distribution panel with the ability to manage up to 4 high demand appliances and 2 air conditioners for your Whole House power needs. Your

home's circuits are divided into prioritized zones – from vital to managed. If your generator nears maximum capacity, pre-designated, high demand appliances are managed to avoid overload. As soon as demand lowers, the generator will automatically reacquire the appliances that are managed. Appliances are managed and reacquired individually.

A **LOAD CONTROL MODULE** (sold separately) is used for larger loads such as electric range, dryer or water heater. When choosing a generator for your Whole House needs, this means that you do not always need to choose the largest generator.

Model	Generator	ATS	Output (Propane/NG)	Engine
100136	12.5 kW	Generator only	12,500W 11,000W	717cc V-twin Champion OHV
100362		ATS200 Whole House Switch (NEMA 3R service entry)		
100237	14 kW	Generator only	14,000W 12,500W	754cc V-twin Champion OHV
100363		ATS200 Whole House Switch (NEMA 3R service entry)		







**Innovative gullwing enclosure for easy installation and service.**



Locate a certified Champion Home Standby Dealer and Installer by visiting:  
[www.championpowerequipment.com](http://www.championpowerequipment.com) or emailing [hsb@cpeauto.com](mailto:hsb@cpeauto.com)

Champion Power Equipment, Inc.  
12039 Smith Ave. – Santa Fe Springs, CA 90670 – USA  
[hsb@cpeauto.com](mailto:hsb@cpeauto.com) – 1-877-338-0999

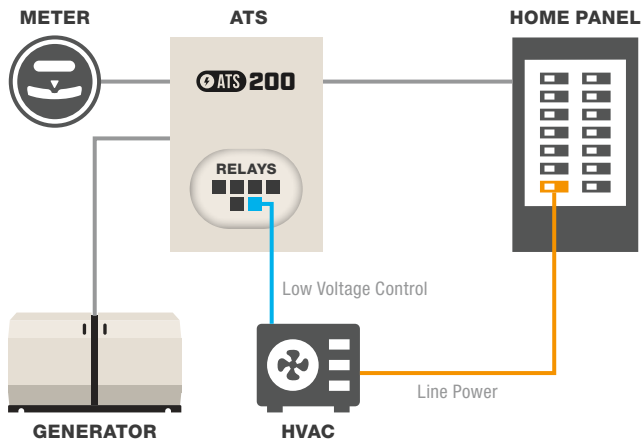
## AUTOMATIC TRANSFER SWITCHES (ATS) / LOAD CONTROL MODULE (LCM)

ATS/LCM SPECIFICATIONS	ATS 100	ATS 150	ATS 200	LCM 50
Application		 <b>WHOLE HOUSE</b> (intelligent load management for up to 6 appliances)		 Manage up to 50 amp load (sold separately)
Model #	101962	101961	101960	100323
Voltage (single phase)	120/240			
Amperage	100	150	200	50
Service entry rated	Yes			
Available circuits	Whole House			
Frequency AC	60 Hz			
Certification	UL			UL and cUL
Dimensions (L[D] x W x H)	6.54 x 18.25 x 27.15 in.			3.4 x 5.2 x 8.2 in.
Weight	42 lb.			3.6 lb.
Enclosure Type	NEMA 3R outdoor/indoor			

## How is a **WHOLE HOUSE** transfer switch wired?

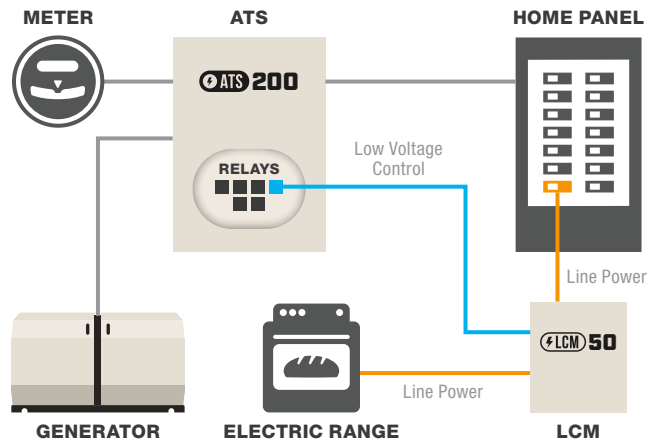
### ATS200 connection to HVAC

This ATS includes a total of 6 low voltage relays – 2 of which are for you to easily wire in your low voltage controlled HVAC by simply breaking the thermostat control line as shown below.



### ATS200 connection to ELECTRIC RANGE with LCM

High demand appliances can be managed using a relay (up to 4) connected to a LOAD CONTROL MODULE wired between the circuit breaker in the distribution panel and the appliance.



Locate a certified Champion Home Standby Dealer and Installer by visiting:  
[www.championpowerequipment.com](http://www.championpowerequipment.com) or emailing [hsb@cpeauto.com](mailto:hsb@cpeauto.com)

Champion Power Equipment, Inc.  
 12039 Smith Ave. – Santa Fe Springs, CA 90670 – USA  
[hsb@cpeauto.com](http://hsb@cpeauto.com) – 1-877-338-0999